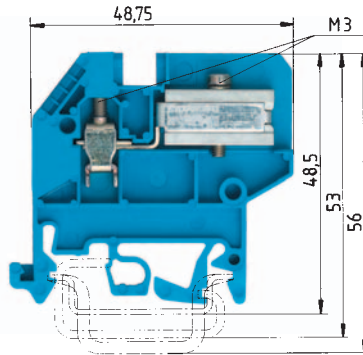


# Neutral disconnect blocks with screw connection for junction boxes, type WKI

## selos BIT

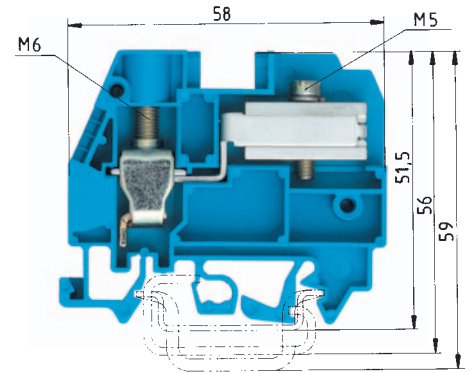


Current carrying capability:  
 fine-stranded: 4 mm<sup>2</sup> 25 A  
 solid: 6 mm<sup>2</sup> 30 A

### WKN 4 ETK/U

fine-stranded solid V A  
 0.5 – 4 mm<sup>2</sup> 0.5 – 6 mm<sup>2</sup> 400 V/6 kV/3\*\*)

No. 20-10 AWG/600 V 25  
 6 mm 9 mm



Current carrying capability:  
 fine-stranded: 10 mm<sup>2</sup> 45 A  
 stranded: 16 mm<sup>2</sup> 50 A

### WKI 10 ETK/U

fine-stranded solid/stranded V A  
 1 – 10 mm<sup>2</sup> 1 – 16 mm<sup>2</sup> 400 V/6 kV/3\*\*)

No. 16-6 AWG 600 V 45  
 10 mm 13 mm



\*\*): for use in grounded networks

EN 60 947-7-1/DIN VDE 0611 T1

UL ratings

CSA ratings

Width

Approvals

Wire strip length

	Type	Part No.	Std. Pack	Type	Part No.	Std. Pack
<b>Neutral-disconnect block</b>	blue	WKN 4 ETK/U	57.504.8155.0 100	WKI 10 ETK/U	57.510.8255.0 50	
<b>Connector clamp for Cu busbar</b>	blue					
	unplated					
<b>Accessories</b>						
1. Mounting rail TS 35, DIN rail 7.5mm high L = 2 m	35 x 27 x 7,5 EN 60715	98.300.0000.0	1	35 x 27 x 7,5 EN 60715	98.300.0000.0	1
Mounting rail TS 35, DIN rail 15mm high L = 2 m	35 x 27 x 15 EN 60715	98.360.0000.0	1	35 x 27 x 15 EN 60715	98.360.0000.0	1
2. End clamp for TS 35, with screw 8 mm wide	9708/2 S35	Z5.522.8553.0	100	9708/2 S35	Z5.522.8553.0	100
End clamp for TS 35, without screws 8 mm wide	WEF 1/35	Z5.523.9353.0	100	WEF 1/35	Z5.523.9353.0	100
3. End plate 1.5 mm thick gray						
	1.5 mm thick blue	APN 4 ETK	07.311.1155.0 10	API 10-16 ETK/1	07.312.1955.0 10	
	1.5 mm thick green					
End plate 2 mm thick gray						
	2 mm thick blue					
	2 mm thick green					
4. Partition plate gray						
	blue					
5. Cross connector with screws (jumper bar) 2 pole						
insulated 3 pole						
	4 pole					
	5 pole					
	6 pole					
6. Partition plate with marking facility yellow						
7. Cover with marking facility yellow						
8. Cover with warning symbol over 4 blocks yellow						
Cover with warning symbol for 1 block yellow						
9. Busbar						
E-Cu 10 x 3 mm, unplated, I <sub>N</sub> = 140 L = 1 m	9813 M	98.290.0000.0	1	9813 M	98.290.0000.0	1
E-Cu 10 x 3 mm, tin-plated, I <sub>N</sub> = 140 A L = 1 m	9813 M SN	98.290.1000.0	1	9813 M SN	98.290.1000.0	1
10. Connector clamp for busbar						
16 mm <sup>2</sup> 8.5 mm wide	WAK 16/2 BLAU	30.494.3021.6	100	WAK 16/2 BLAU	30.494.3021.6	100
35 mm <sup>2</sup> 17 mm wide	WAK 35/2	30.494.4121.0	50	WAK 35/2	30.494.4121.0	50
11. Busbar support 4 mm wide	WKI SH/U	01.108.3255.0	10	WKI SH/U	01.108.3255.0	10
Busbar support 8 mm wide	WKIF SH/E/35	Z1.108.8453.0	100	WKIF SH/E/35	Z1.108.8453.0	100
Marking accessories see page 230-237						

